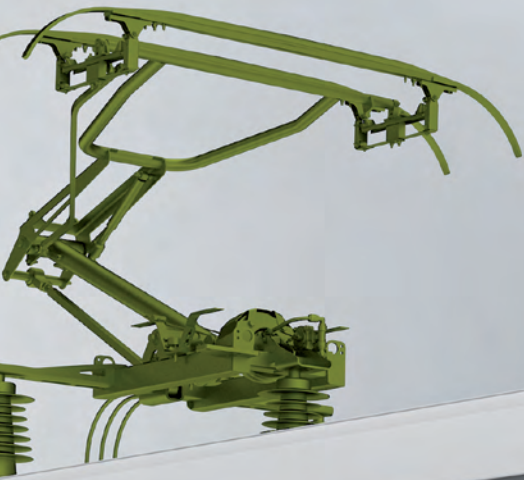




Schunk Pantographs

From scrap to new



From scrap to new - Stay on track to success with Schunk

Pantographs for rail vehicles are subjected to mechanical wear and demanding environmental conditions. Regular servicing by Schunk prevents unscheduled equipment downtime and provides outstanding dependability and efficiency.

Reliability, economics and logistics

All track bound traffic is highly dependent on operational reliability. Trains and trams must not come to a halt. An unplanned stop often has an enormous impact that can bring the entire railway network to a standstill, with all the economic and social consequences that implies. The train must keep going. And this requires preventive service and maintenance work. The current collector, or pantograph, is a strategic but vulnerable part of power transmission between the main system and the motor. Hundreds of thousands of kilometres leaves its mark. Electric arcs catching fire, knocks from cables, ice formation, exposed environments etc. can all cause mechanical wear and tear. Which in turn necessitates repairs, preventive overhauls and precision maintenance. Strategic maintenance and repair work quickly pays for itself. The cost of inspections and repairs amounts to about half that of new purchases.

Convincing in technology and efficiency:

- Increasing operational safety
- Downtimes are reduced and profitability is increased
- Highest quality due to long experience of several models

Current collector for long-distance transport



01 A total overhaul

Schunk carries out total overhauls and inspections of pantographs.

At our facility we renovate pantographs for a large number of Swedish and international train operators throughout northern and central Europe. We are certified in accordance with ISO 9001:2015, SS-EN ISO 3834-2 and EN 15085-2 standard.



02 Refurbishment

In principle, a pantograph is indestructible provided it receives the correct maintenance and service.

At our facility we burn off old sealant and blast, precision measure and repair mechanical damage. After every examination, your pantograph is as good as new.



03 Surface finish

The cost of inspecting and repairing a pantograph is about half the cost of investing in new equipment.

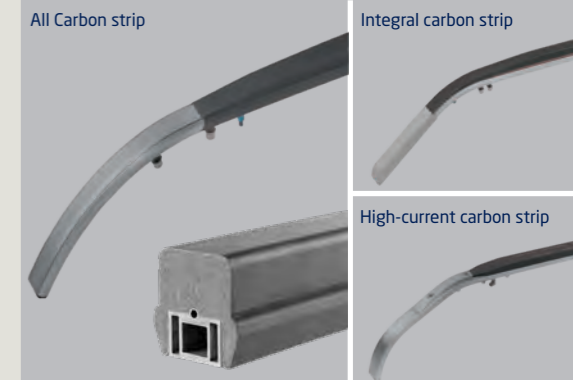
We consider the surface finish particularly important. We powder-paint to avoid spray shadow and to ensure optimal corrosion protection. All fixings are stainless steel and tubing and bellows are UV resistant.



04 Spare parts

Schunk has many years of experience in renovating current pantograph.

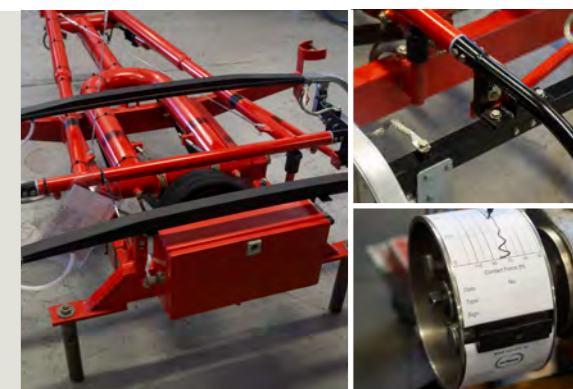
We have a fully stocked spare parts warehouse for guaranteed delivery assurance. We attach great importance to function checks, tuning and documentation with full traceability down to individual level.



05 Installation and delivery

Schunk deal with all logistics and fulfil all client requirements.

Transport service and shipping are all part of our quality awareness. As our client, all you need to do is to contact us. We will ensure the optimal conditions for your traffic to avoid unplanned operatingstoppages.



A worldwide success. Always at your side.

Schunk focuses on development, manufacture and application of carbon and ceramic solutions. It combines innovative spirit and technological expertise with exceptional customer service to provide a range of products and services unique to the market.

In Schunk, you have a partner who can offer all the technological possibilities of an international company and implement ideas custom-tailored to your needs, both for high-volume industrial markets and for highly specialized niche markets.

The Schunk Group

Enabling, idea-driven, cooperative – If you hope to apply technology to develop better products and capture new markets, we can help.

The Schunk Group has been supporting customers with innovative technologies since 1913. As an idea-driven technology company, innovation is fundamental to our culture. We forge long-lasting, cooperative working relationships with our clients. You will find our custom-tailored, high-tech products and systems in markets such as; carbon technology and ceramics, environment simulation and air-conditioning technology, sintered metal and ultrasonic welding.

The Schunk Group is a globally operating technology company with a global business unit structure. The company is a leading supplier of products made of high-tech materials – such as carbon, technical ceramics and sintered metal – as well as machines and systems – from environmental simulation and air conditioning to ultrasonic welding and optical machines. The Schunk Group has more than 8,500 employees in 29 countries and achieved sales of €1.28 billion in 2018.



Schunk Carbon Technology AB

PO Box 34

SE-364 03 Lenhovda · Sweden

Phone +46 (474) 2 95 00

Fax +46 (474) 2 04 55

E-Mail info@schunk.se

www.schunk-carbontechnology.com



17.08e/500/2019